



**CITY OF MARSHALL
HOUSING AND REDEVELOPMENT AUTHORITY MEETING
A G E N D A**

**Tuesday, April 23, 2019 at 5:15 PM
Professional Development Room - Marshall Middle School, 401 South
Saratoga Street**

CALL TO ORDER

APPROVAL OF MINUTES

1. Consider approval of the minutes from the special meetings held on February 12 and February 26, 2019.

PUBLIC HEARING

NEW BUSINESS

2. Commerce Industrial Park Second Addition Land Transfer for Public Roadway and Utility Easement Purposes.

ADJOURN TO CLOSED SESSION

ADJOURN



CITY OF MARSHALL AGENDA ITEM REPORT

Meeting Date:	Tuesday, April 23, 2019
Category:	APPROVAL OF MINUTES
Type:	ACTION
Subject:	Consider approval of the minutes from the special meetings held on February 12 and February 26, 2019.
Background Information:	Staff encourages HRA Members to provide any suggested corrections to the minutes in writing to City Clerk, Kyle Box, prior to the meeting. We then could potentially incorporate proposed amended minutes at the meeting.
Fiscal Impact:	
Alternative/ Variations:	
Recommendations:	that the minutes of the special meetings held on February 12 and February 26, 2019 be approved as filed with each member and that the reading of the same be waived.

**CITY OF MARSHALL
HOUSING AND REDEVELOPMENT AUTHORITY MEETING
M I N U T E S
Tuesday, February 12, 2019**

The special meeting of the Housing and Redevelopment Authority was held on February 12, 2019 in the Professional Development Room at the Marshall Middle School, 401 South Saratoga Street. The meeting was called to order at 5:15 P.M. by Chairman Robert Byrnes. In addition to Byrnes the following members were present: Craig Schafer, Steven Meister, Glenn Bayerkohler, John DeCramer, Russ Labat and James Lozinski. Absent: None. Staff present included: Sharon Hanson, Executive Director; Dennis Simpson, City Attorney; Annette Storm, Director of Administrative Services and Kyle Box, City Clerk.

Consider approval of the Mayoral appointment to the Housing and Redevelopment Authority.

469.003 CITY HOUSING AND REDEVELOPMENT AUTHORITY. Subd. 6.Appointment; approval; term; vacancy. The commissioners shall be appointed by the mayor, with the approval of the governing body. Those initially appointed shall be appointed for terms of one, two, three, four, and five years, respectively. Thereafter all commissioners shall be appointed for five-year terms. Each vacancy in an unexpired term shall be filled for the remainder of the term for which the original appointment was made. Any member of the governing body of a city may be appointed and may serve as a commissioner of the authority for the city. The council of any city which appoints members of the city council as commissioners may set the terms of office of a commissioner to coincide with the commissioner's term of office as a council member.

Motion made by Board Member Schafer, Seconded by Board Member Meister to approve Board member Russ Labat to the Housing and Redevelopment Authority. Voting Yea: Chairman Byrnes, Board Member Schafer, Board Member Meister, Board Member Bayerkohler, Board Member DeCramer, Board Member Labat, Board Member Lozinski. The motion **Carried. 7-0**

Consider approval of the minutes from the special meetings held on December 18, 2018.

Motion made by Board Member Labat, Seconded by Board Member DeCramer to approve the minutes from the December 18, 2018 HRA meeting. Voting Yea: Chairman Byrnes, Board Member Schafer, Board Member Meister, Board Member Bayerkohler, Board Member DeCramer, Board Member Labat, Board Member Lozinski. The motion **Carried. 7-0**

Call for Public Hearing regarding Sale of HRA Owned Property.

EDA Director Tara Onken and City Attorney Dennis Simpson have been negotiating with Action Manufacturing owner Tim Swenson regarding Mr. Swenson's need to expand this present facility. The HRA is the owner of the lot located immediately adjacent to the existing Action Manufacturing plant/facility in Sonstegard Addition to the City of Marshall. The City has received a signed purchase agreement and must therefore hold a public hearing to address the issue of the sale of HRA owned property. City attorney is recommending that public hearing be held on Tuesday, February 26, 2019.

Motion made by Board Member Meister, Seconded by Board Member Lozinski to call for Public Hearing to address the issue related to the sale of HRA owned property. Voting Yea: Chairman Byrnes, Board Member Schafer, Board Member Meister, Board Member Bayerkohler, Board Member DeCramer, Board Member Labat, Board Member Lozinski. The motion **Carried. 7-0**

Adjourn Meeting.

At 5:19 PM, Motion made by Board Member Schafer, Seconded by Board Member Labat to adjourn.

Voting Yea: Chairman Byrnes, Board Member Schafer, Board Member Meister, Board Member Bayerkohler, Board Member DeCramer, Board Member Labat, Board Member Lozinski

Robert J. Byrnes
Chairman

ATTEST:

Sharon Hanson
Executive Director

CITY OF MARSHALL
HOUSING AND REDEVELOPMENT AUTHORITY MEETING
MINUTES
Tuesday, February 26, 2019

The special meeting of the Housing and Redevelopment Authority was held on February 26, 2019 in the Professional Development Room at the Marshall Middle School, 401 South Saratoga Street. The meeting was called to order at 5:15 P.M. by Chairman Robert Byrnes. In addition to Byrnes the following members were present: Craig Schafer, Steven Meister, Glenn Bayerkohler, John DeCramer, Russ Labat and James Lozinski. Absent: None. Staff present included: Sharon Hanson, Executive Director; Dennis Simpson, City Attorney; Director of Public Works/City Engineer Glenn Olson; Annette Storm, Director of Administrative Services and Kyle Box, City Clerk.

Public Hearing regarding Sale of HRA Owned Property and approval of HRA Property.

EDA Director Tara Onken and City Attorney Dennis Simpson have been negotiating with Action Manufacturing owner Tim Swenson regarding Mr. Swenson's need to expand this present facility. The HRA is the owner of the lot located immediately adjacent to the existing Action Manufacturing plant/facility in Sonstegard Addition to the City of Marshall. The City has received a signed purchase agreement and must therefore hold a public hearing to address the issue of the sale of HRA owned property. City attorney is recommending that public hearing be held on Tuesday, February 26, 2019.

Purchase agreement indicates that sale is contingent upon HRA approval and wetland mitigation. The wetland mitigation process is almost complete. The signed documents and payments have been sent accordingly and City is awaiting the return of the final documents. Warranty deed and closing documents will be prepared as the closing date draws near. Property to be sold total purchase price of \$59,115.

Motion made by Board member Schafer, Seconded by Board member Meister to close the public hearing. Voting Yea: Mayor Byrnes, Board member Schafer, Board member Meister, Board member Bayerkohler, Board member DeCramer, Board member Labat, Board member Lozinski. The motion **Carried. 7-0**

Motion made by Board member Meister, Seconded by Board member Labat to approve Resolution Number 193, Second Series, a resolution authorizing the transfer of HRA owned property to Timmy R. Swenson Revocable Trust Agreement and the Donna O. Swenson Revocable Trust Agreement. Voting Yea: Mayor Byrnes, Board member Schafer, Board member Meister, Board member DeCramer, Board member Labat, Board member Lozinski. Voting Nay: Board member Bayerkohler. The motion **Passed. 6-1**

Adjourn Meeting.

At 5:22 PM, Motion made by Board Member Labat, Seconded by Board Member DeCramer to adjourn. Voting Yea: Chairman Byrnes, Board Member Schafer, Board Member Meister, Board Member Bayerkohler, Board Member DeCramer, Board Member Labat, Board Member Lozinski. The motion **Carried. 7-0**

Robert J. Byrnes
Chairman

ATTEST:

Sharon Hanson
Executive Director



HOUSING AND REDEVELOPMENT AUTHORITY IN AND FOR THE CITY OF MARSHALL, MINNESOTA AGENDA ITEM REPORT

Meeting Date:	Tuesday, April 23, 2019
Category:	NEW BUSINESS
Type:	ACTION
Subject:	Commerce Industrial Park Second Addition Land Transfer for Public Roadway and Utility Easement Purposes
Background Information:	<p>The final plat of Commerce Industrial Park was adopted by Marshall City Council in 2016. Since that time, the property has been designed and constructed in accordance with plans and specifications as developed by consulting engineers Bolton & Menk.</p> <p>The development plans include the construction to the connection of Michigan Road/Pacific Avenue and Trunk Highway 68. The construction of Michigan Road, installation of utilities on Michigan Road and construction of stormwater detention and treatment ponds for the entire site except for a small area in the northwest corner of the subdivision.</p> <p>The development of the project has been assisted in funding through Business Development Public Infrastructure (BDPI) grant from State of Minnesota DEED agency. After the construction of the infrastructure referred to above, the property was re-platted pursuant to action taken by Marshall City Council in 2019. The re-platted Commerce Industrial Park Second Addition has been recorded in the office of the Lyon County Recorder.</p> <p>The City of Marshall is presently seeking “shovel ready” certification from DEED. It is believed that shovel ready certification will assist the City of Marshall in the promotion and potential sale and development of the property. Shovel ready certification requires that an ALTA survey be provided. In the process of obtaining an ALTA survey, it was determined that there were minor discrepancies in the description of the property. The as-built Michigan roadway varied slightly from the plat of Commerce Industrial Park Second Addition. It is therefore proposed that the identified property on the attached documents be deeded from property owner HRA to the City of Marshall. Subsequent to transferring of the property by deed, the deeded property would be dedicated for use as public roadway and streets as designated on the attached deed. Public utility easements would also be amended as described and would also be dedicated to public use pursuant to the description on the plat.</p>
Fiscal Impact:	Applicant will be billed for all direct costs relating to the survey and deed documents attached.
Alternative/Variations:	No alternative actions recommended.
Recommendations:	Consider and approve Resolution No. ____, Second Series authorizing the proper Authority officials to transfer ownership of property owned in Commerce Park Second Addition to the City of Marshall.

No delinquent taxes and transfer entered;
 Certificate of Real Estate Value
 () filed () not required

Certificate of Real Estate Value
 No. _____
 _____, 20____

 County Auditor

By _____
 Deputy

(reserved for recording data)

QUIT CLAIM DEED

Corporation or Partnership to Corporation or Partnership

STATE DEED TAX DUE HEREON: \$1.65

Dated: April 23, 2019

FOR VALUABLE CONSIDERATION, City of Marshall Housing and Redevelopment Authority, also known as Housing and Redevelopment Authority in and for the City of Marshall, Minnesota, a municipal corporation under the laws of the State of Minnesota, Grantor, hereby conveys and quitclaims to City of Marshall, Grantee, a municipal corporation under the laws of the State of Minnesota, real property in Lyon County, Minnesota, described as follows:

See attached surveys with land descriptions and easement descriptions.

Land descriptions are to be dedicated for public roadway and street use purposes forever. Utility easements are hereby donated and dedicated for public use forever.

together with all hereditaments and appurtenances belonging thereto.

The total consideration for this conveyance is \$500.00 or less.

Check box if applicable:

- The seller certifies that the seller does not know of any wells on the described real property.
- A well disclosure certificate accompanies this document.
- I am familiar with the property described in this instrument and I certify that the status and number of wells on the described real property have not changed since the last previously filed well disclosure certificate.

CITY OF MARSHALL HOUSING AND REDEVELOPMENT AUTHORITY ALSO KNOWN AS HOUSING AND REDEVELOPMENT AUTHORITY IN AND FOR THE CITY OF MARSHALL, MINNESOTA

Affix Deed Tax Stamp Here

By: _____
Robert J. Byrnes
Its: Chair

By: _____
Sharon Hanson
Its: Executive Director

STATE OF MINNESOTA)
)ss
COUNTY OF LYON)

The foregoing instrument was acknowledged before me this 23rd day of April, 2019, by Robert J. Byrnes and Sharon Hanson, the Chair and Executive Director of City of Marshall Housing and Redevelopment Authority, also known as Housing and Redevelopment Authority in and for the City of Marshall, Minnesota, a municipal corporation under the laws of the State of Minnesota, on behalf of the Authority.

NOTARIAL STAMP OR SEAL (OR OTHER TITLE OR RANK)

SIGNATURE OF PERSON TAKING ACKNOWLEDGMENT

Tax Statements for the real property described in this instrument should be sent to (Include name and address of Grantee):

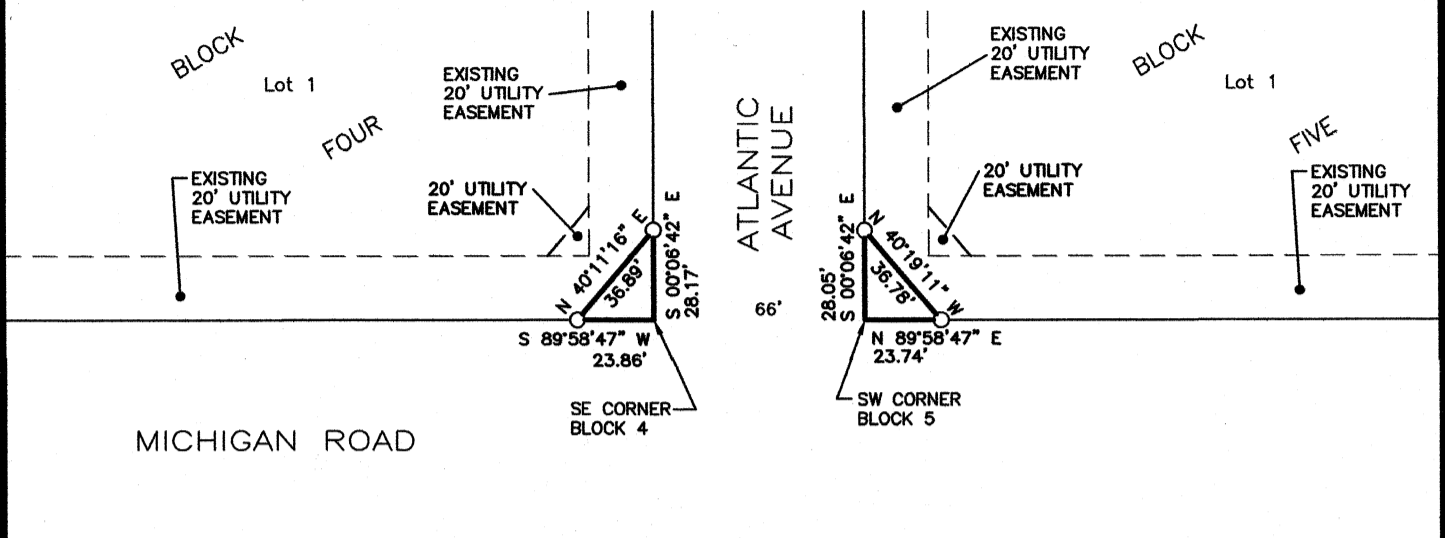
City of Marshall
344 W. Main St.
Marshall, MN 56258

THIS INSTRUMENT WAS DRAFTED BY:

QUARNSTROM & DOERING, P.A.
By: Dennis H. Simpson
109 South Fourth Street
Marshall, MN 56258
(507) 537-1441

Certificate of Survey

A part of the Blocks 4 & 5, Commerce Park 2nd Addition
in the City of Marshall, Lyon County, Minnesota.



LAND DESCRIPTION IN BLOCK 4

All that part of Lot 1, Block 4 of Commerce Industrial Park Second Addition, in the City of Marshall, as filed and recorded in the office of the County Recorder in and for Lyon County, Minnesota, being more particularly described as follows:

Beginning at the southeast corner of said Block 4; thence South 89 degrees 58 minutes 47 seconds West, bearing based on Lyon County Coordinate System (1996 Adj.), along the south line of said Block 4, a distance of 23.86 feet; thence North 40 degrees 11 minutes 16 seconds East a distance of 36.89 feet, to a point on the east line of said Block 4; thence South 00 degrees 06 minutes 42 seconds East, along said east line a distance of 28.17 feet, to the point of beginning.

EASEMENT DESCRIPTION IN BLOCK 4

A 20 foot utility easement located in Lot 1, Block 4 of Commerce Industrial Park Second Addition, in the City of Marshall, as filed and recorded in the office of the County Recorder in and for Lyon County, Minnesota, lying northwesterly and adjacent to the following described line:

Commencing at the southeast corner of said Block 4; thence South 89 degrees 58 minutes 47 seconds West, bearing based on Lyon County Coordinate System (1996 Adj.), along the south line of said Block 4, a distance of 23.86 feet, to the point of beginning of said line to be described; thence North 40 degrees 11 minutes 16 seconds East a distance of 36.89 feet, to a point on the east line of said Block 4, said line there terminating.

LAND DESCRIPTION IN BLOCK 5

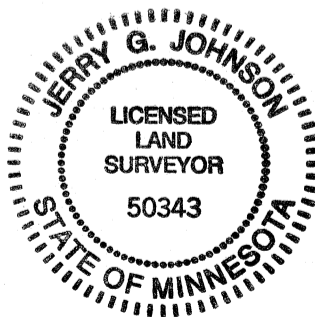
All that part of Lot 1, Block 5 of Commerce Industrial Park Second Addition, in the City of Marshall, as filed and recorded in the office of the County Recorder in and for Lyon County, Minnesota, being more particularly described as follows:

Beginning at the southwest corner of said Block 5; thence North 89 degrees 58 minutes 47 seconds East, bearing based on Lyon County Coordinate System (1996 Adj.), along the south line of said Block 5, a distance of 23.74 feet; thence North 40 degrees 19 minutes 11 seconds West a distance of 36.78 feet, to a point on the west line of said Block 5; thence South 00 degrees 06 minutes 42 seconds East, along said west line, a distance of 28.05 feet, to the point of beginning.

EASEMENT DESCRIPTION IN BLOCK 5

A 20 foot utility easement located in Lot 1, Block 5 of Commerce Industrial Park Second Addition, in the City of Marshall, as filed and recorded in the office of the County Recorder in and for Lyon County, Minnesota, lying northeasterly and adjacent to the following described line:

Commencing at the southwest corner of said Block 5; thence North 89 degrees 58 minutes 47 seconds East, bearing based on Lyon County Coordinate System (1996 Adj.), along the south line of said Block 5, a distance of 23.74 feet, to the point of beginning of said line to be described; thence North 40 degrees 19 minutes 11 seconds West a distance of 36.78 feet, to a point on the west line of said Block 5, said line there terminating.

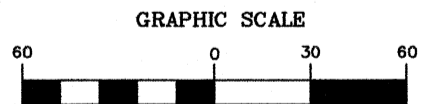


SURVEYOR'S CERTIFICATION

I hereby certify that this plan, specification, or report was prepared by me or under my direct supervision and that I am a duly Licensed Land Surveyor under the laws of the State of Minnesota.

[Signature]
JERRY G. JOHNSON LICENSE NO: 50343

DATE: APRIL 17, 2019



(IN FEET)
1 inch = 60 feet

LEGEND

These standard symbols will be found in the drawing.

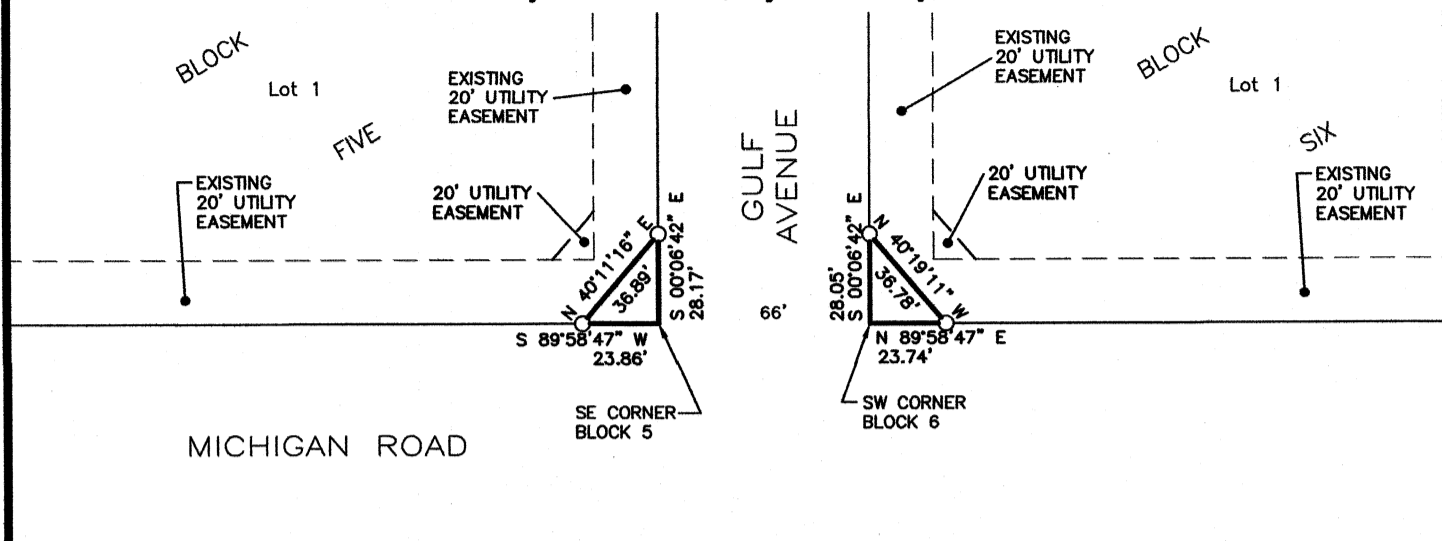
- MONUMENTS FOUND
- MONUMENTS SET- 5/8" IRON W/SEAL #50343

Prepared for City of Marshall

Prepared by
Bueltel-Moseng Land Surveying, Inc.
Marshall, MN 56258 Ph. 507-532-9043
PROJECT NO. 18-2761A-1

Certificate of Survey

A part of the Blocks 5 & 6, Commerce Park 2nd Addition
in the City of Marshall, Lyon County, Minnesota.



LAND DESCRIPTION IN BLOCK 5

All that part of Lot 1, Block 5 of Commerce Industrial Park Second Addition, in the City of Marshall, as filed and recorded in the office of the County Recorder in and for Lyon County, Minnesota, being more particularly described as follows:

Beginning at the southeast corner of said Block 5; thence South 89 degrees 58 minutes 47 seconds West, bearing based on Lyon County Coordinate System (1996 Adj.), along the south line of said Block 5, a distance of 23.86 feet; thence North 40 degrees 11 minutes 16 seconds East a distance of 36.89 feet, to a point on the east line of said Block 5; thence South 00 degrees 06 minutes 42 seconds East, along said east line a distance of 28.17 feet, to the point of beginning.

EASEMENT DESCRIPTION IN BLOCK 5

A 20 foot utility easement located in Lot 1, Block 5 of Commerce Industrial Park Second Addition, in the City of Marshall, as filed and recorded in the office of the County Recorder in and for Lyon County, Minnesota, lying northwesterly and adjacent to the following described line:

Commencing at the southeast corner of said Block 5; thence South 89 degrees 58 minutes 47 seconds West, bearing based on Lyon County Coordinate System (1996 Adj.), along the south line of said Block 5, a distance of 23.86 feet, to the point of beginning of said line to be described; thence North 40 degrees 11 minutes 16 seconds East a distance of 36.89 feet, to a point on the east line of said Block 5 said line there terminating.

LAND DESCRIPTION IN BLOCK 6

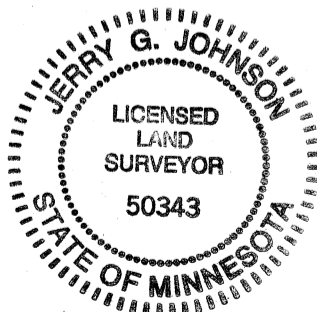
All that part of Lot 1, Block 6 of Commerce Industrial Park Second Addition, in the City of Marshall, as filed and recorded in the office of the County Recorder in and for Lyon County, Minnesota, being more particularly described as follows:

Beginning at the southwest corner of said Block 6; thence North 89 degrees 58 minutes 47 seconds East, bearing based on Lyon County Coordinate System (1996 Adj.), along the south line of said Block 6, a distance of 23.74 feet; thence North 40 degrees 19 minutes 11 seconds West a distance of 36.78 feet, to a point on the west line of said Block 6; thence South 00 degrees 06 minutes 42 seconds East, along said west line, a distance of 28.05 feet, to the point of beginning.

EASEMENT DESCRIPTION IN BLOCK 6

A 20 foot utility easement located in Lot 1, Block 6 of Commerce Industrial Park Second Addition, in the City of Marshall, as filed and recorded in the office of the County Recorder in and for Lyon County, Minnesota, lying northeasterly and adjacent to the following described line:

Commencing at the southwest corner of said Block 6; thence North 89 degrees 58 minutes 47 seconds East, bearing based on Lyon County Coordinate System (1996 Adj.), along the south line of said Block 6, a distance of 23.74 feet, to the point of beginning of said line to be described; thence North 40 degrees 19 minutes 11 seconds West a distance of 36.78 feet, to a point on the west line of said Block 6, said line there terminating.

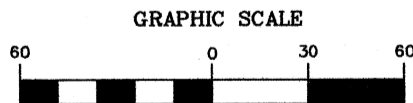


SURVEYOR'S CERTIFICATION

I hereby certify that this plan, specification, or report was prepared by me or under my direct supervision and that I am a duly Licensed Land Surveyor under the laws of the State of Minnesota.

[Signature]
JERRY G. JOHNSON LICENSE NO: 50343

DATE: APRIL 17, 2019



(IN FEET)
1 inch = 60 feet

LEGEND

These standard symbols will be found in the drawing.

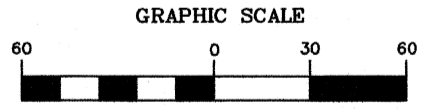
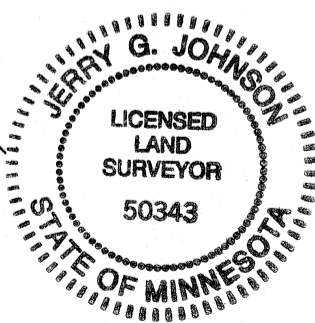
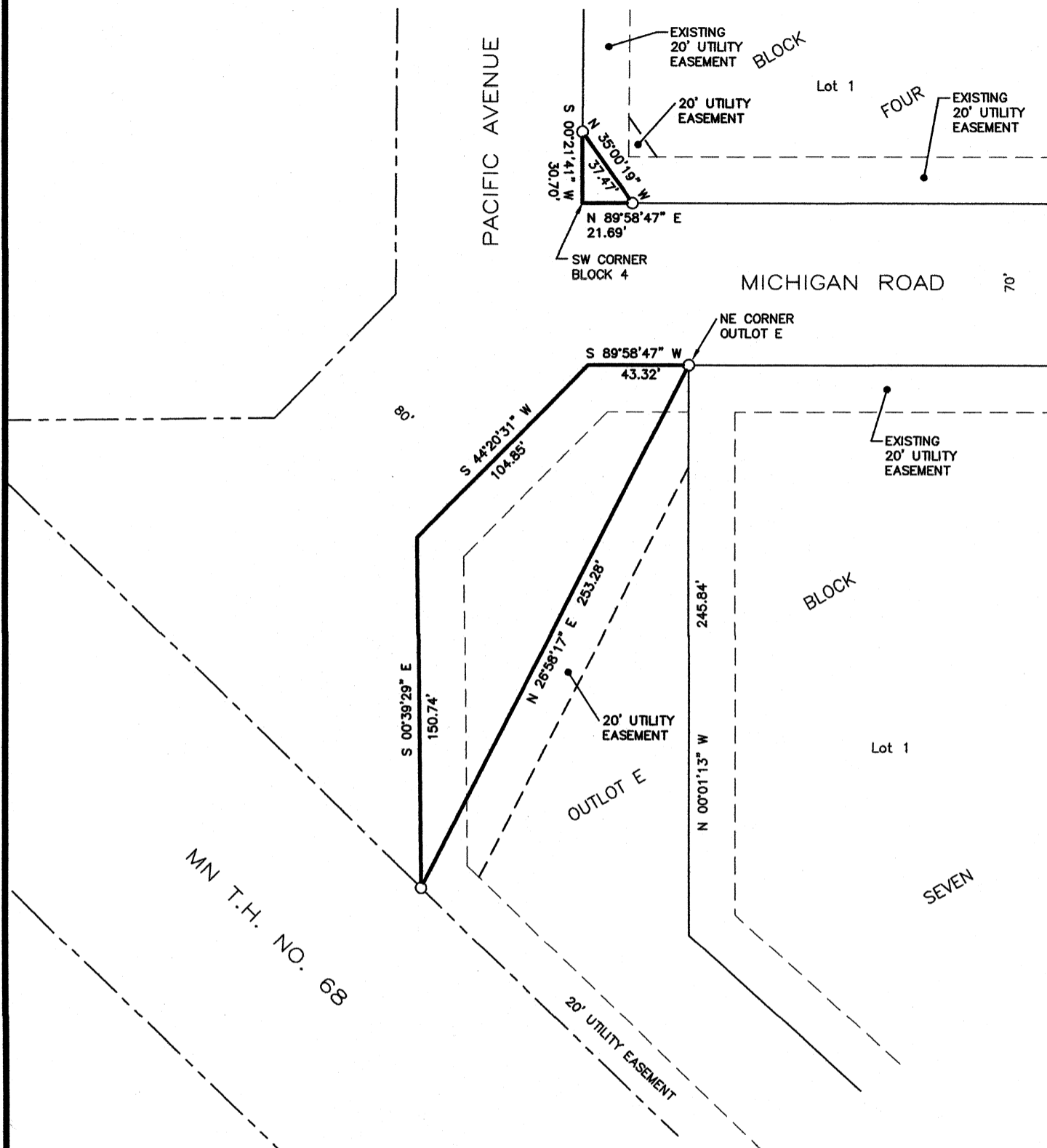
- MONUMENTS FOUND
- MONUMENTS SET- 5/8" IRON W/SEAL #50343

Prepared for City of Marshall

Prepared by
Bueltel-Moseng Land Surveying, Inc.
Marshall, MN 56258 Ph. 507-532-9043
PROJECT NO. 18-2761A-2

Certificate of Survey

A part of Lot 1, Block 4, and Outlot E of Commerce Industrial Park 2nd Addition in the City of Marshall, Lyon County, Minnesota.



(IN FEET)
1 inch = 60 feet

LEGEND

- These standard symbols will be found in the drawing.
- MONUMENTS FOUND
 - MONUMENTS SET- 5/8" IRON W/SEAL #43844

Prepared for City of Marshall

Prepared by
Bueltel-Moseng Land Surveying, Inc.
Marshall, MN 56258 Ph. 507-532-9043
PROJECT NO. 18-2761B

SURVEYOR'S CERTIFICATION

I hereby certify that this plan, specification, or report was prepared by me or under my direct supervision and that I am a duly Licensed Land Surveyor under the laws of the State of Minnesota.

[Signature]
JERRY G. JOHNSON LICENSE NO: 50343

DATE: APRIL 17, 2019

Certificate of Survey

A part of Lot 1, Block 4, and Outlot E of Commerce Industrial Park 2nd Addition in the City of Marshall, Lyon County, Minnesota.

LAND DESCRIPTION IN BLOCK 4

All that part of Lot 1, Block 4 of Commerce Industrial Park Second Addition, in the City of Marshall, as filed and recorded in the office of the County Recorder in and for Lyon County, Minnesota, being more particularly described as follows:

Beginning at the southwest corner of said Block 4; thence North 89 degrees 58 minutes 47 seconds East, bearing based on Lyon County Coordinate System (1996 Adj.), along the south line of said Block 4, a distance of 21.69 feet; thence North 35 degrees 00 minutes 19 seconds West a distance of 37.47 feet, to a point on the west line of said Block 4; thence South 00 degrees 21 minutes 41 seconds West, along said west line, a distance of 30.70 feet, to the point of beginning.

EASEMENT DESCRIPTION IN BLOCK 4

A 20 foot utility easement located in Lot 1, Block 4 of Commerce Industrial Park Second Addition, in the City of Marshall, as filed and recorded in the office of the County Recorder in and for Lyon County, Minnesota, lying northeasterly and adjacent to the following described line:

Commencing at the southwest corner of said Block 4; thence North 89 degrees 58 minutes 47 seconds East, bearing based on Lyon County Coordinate System (1996 Adj.), along the south line of said Block 4, a distance of 21.69 feet, to the point of beginning of said line to be described; thence North 35 degrees 00 minutes 19 seconds West a distance of 37.47 feet, to a point on the west line of said Block 4, said line there terminating.

LAND DESCRIPTION IN OUTLOT E

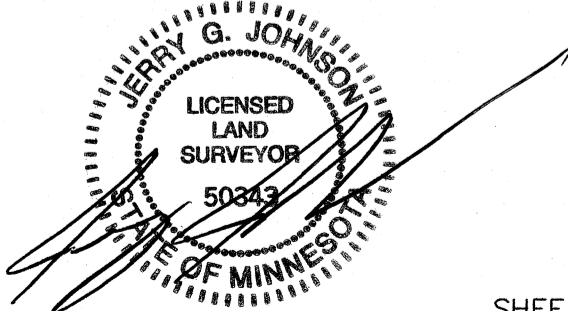
All that part of Outlot E of Commerce Industrial Park Second Addition, in the City of Marshall, as filed and recorded in the office of the County Recorder in and for Lyon County, Minnesota, being more particularly described as follows:

Beginning at the northeast corner of said Outlot E; thence South 89 degrees 58 minutes 47 seconds West, bearing based on Lyon County Coordinate System (1996 Adj.), along the north line of said Outlot E, a distance of 43.32 feet, to a corner of said Outlot E; thence South 44 degrees 20 minutes 31 seconds West, along the northwest line of said Outlot E, a distance of 104.85 feet, to a corner of said Outlot E; thence South 00 degrees 39 minutes 29 seconds East, along the west line of said Outlot E, a distance of 150.74 feet, to a corner of said Outlot E; thence North 26 degrees 58 minutes 17 seconds East a distance of 253.28 feet, to the point of beginning.

EASEMENT DESCRIPTION IN OUTLOT E

A 20 foot utility easement located in Outlot E of Commerce Industrial Park Second Addition, in the City of Marshall, as filed and recorded in the office of the County Recorder in and for Lyon County, Minnesota, lying southeasterly and adjacent to the following described line:

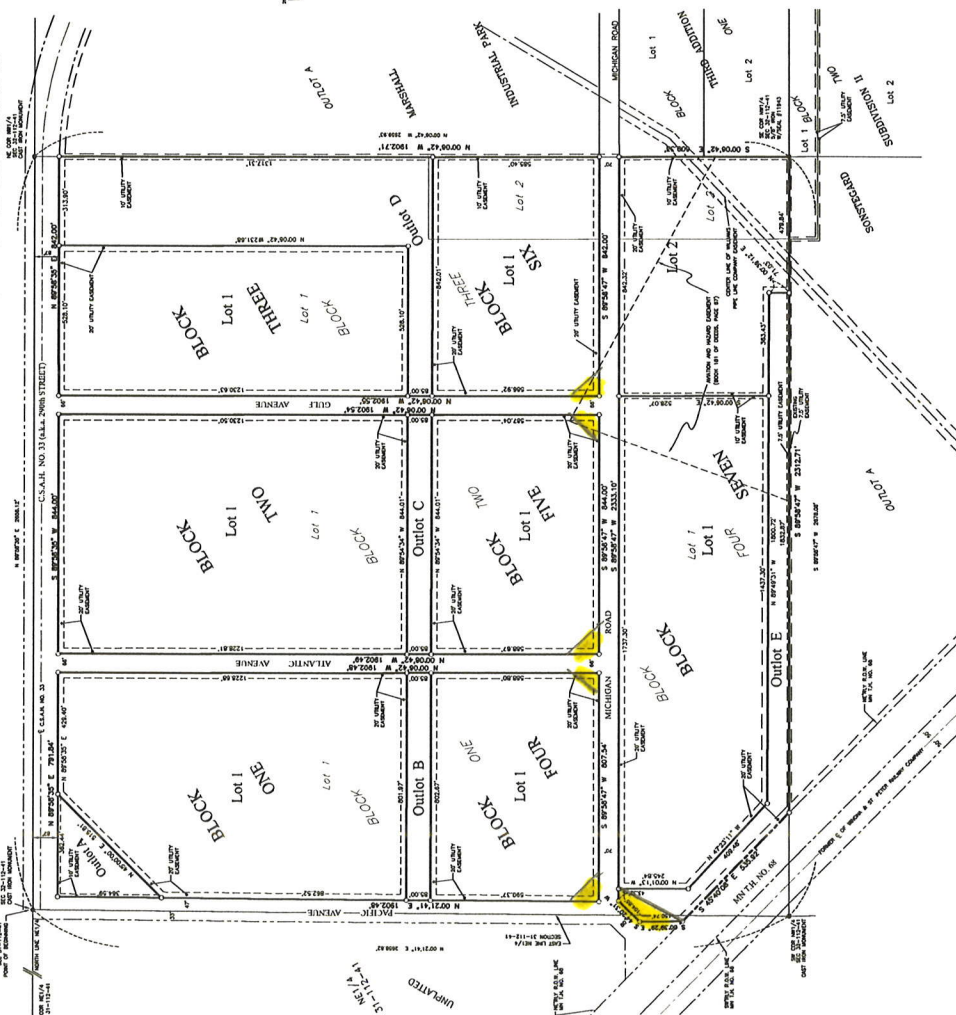
Beginning at the northeast corner of said Outlot E; thence South 26 degrees 58 minutes 17 seconds West, bearing based on Lyon County Coordinate System (1996 Adj.), a distance of 253.28 feet, to a corner of said Outlot E, said line there terminating.



Prepared for City of Marshall

Prepared by
Bueltel-Moseng Land Surveying, Inc.
Marshall, MN 56258 Ph. 507-532-9043
PROJECT NO. 18-2761B

Commerce Industrial Park Second Addition



KNOW ALL PEOPLE BY THESE PRESENTS: That The City of Marshall Housing and Redevelopment Authority, a municipal corporation under the laws of the State of Minnesota, its owner of the following described plat of Block 1, 2, 3, and 4 of Commerce Industrial Park Addition, in the City of Marshall, as filed and recorded in the office of the County Recorder, in and for Lyon County, Minnesota.

Have caused the same to be surveyed and planned for COMMERCE INDUSTRIAL PARK SECOND ADDITION, plat of Henry J. Johnson and dedicated to the public use forever utility easements as shown on this plat.

Robert L. Byrnes, its Chairman
Sharon Hanson, its Executive Director

CITY OF MARSHALL HOUSING AND REDEVELOPMENT AUTHORITY

**STATE OF MINNESOTA
COUNTY OF LYON**

The foregoing instrument was acknowledged before me on this _____ day of _____, 20____ by _____ of _____, a duly authorized officer of the _____, a municipal corporation under the laws of the state of Minnesota, on behalf of the corporation.

My Commission Expires _____

SURVEYOR'S CERTIFICATE

I have surveyed and planned the parcel described in this plat as COMMERCE INDUSTRIAL PARK SECOND ADDITION, that this plat is a correct representation of said survey, that all distances are correctly shown on the plat, that all monuments have been correctly placed in the ground and that the same are correctly shown on the plat, that the same are correctly shown on the plat and that there are no wetlands or public highways to be designated on this plat other than as shown.

Terry G. Johnson
Minnesota License Number 50343

The Surveyor's Certificate was acknowledged before me on this _____ day of _____, 20____ by Jerry G. Johnson, a licensed land surveyor.

Nancy Public,
My Commission Expires _____

CITY COUNCIL

This plat of COMMERCE INDUSTRIAL PARK SECOND ADDITION was approved and accepted by resolution at a meeting of the City Council of Marshall, Minnesota, held this _____ day of _____, 20____.

Mayor _____ City Administrator _____

OFFICE OF THE LYON COUNTY AUDITOR/TREASURER

I hereby certify that the tax for the year 20____ and all previous years for the land described in the foregoing instrument and as shown on the annexed has been paid in full.

Auditor/Treasurer: Lyon County _____

OFFICE OF THE LYON COUNTY RECORDER

I hereby certify that this instrument was filed and microfilm'd in this office for record on the _____ day of _____, 20____, in _____ block _____, and was duly recorded as document number _____ in _____ recorder number _____.

Recorder, Lyon County _____

**HOUSING AND REDEVELOPMENT AUTHORITY
IN AND FOR THE CITY OF MARSHALL, MINNESOTA**

RESOLUTION NO. _____, SECOND SERIES

**RESOLUTION APPROVING THE TRANSFER OF HOUSING AND REDEVELOPMENT AUTHORITY OWNED
REAL ESTATE FOR PUBLIC PURPOSES**

WHEREAS, the Housing and Redevelopment Authority in and for the City of Marshall (the "Authority") is the owner of described real estate situated in Commerce Industrial Park Second Addition to the City of Marshall, County of Lyon, State of Minnesota.

WHEREAS, the attached survey maps described the land and easements to be conveyed; and

WHEREAS, the land and easements are to be dedicated for public roadway and public utility purposes.

NOW, THEREFORE, BE IT RESOLVED, by the Board of Commissioners for the Housing and Redevelopment Authority in and for the City of Marshall as follows:

1. That the Board of Commissioners for the Housing and Redevelopment Authority in and for the City of Marshall does deem it appropriate that the above described premises be conveyed and dedicated for public purposes.
2. That the appropriate officials of the Board of Commissioners are hereby authorized to sign any and all documents necessary to convey said premises.

Passed and Adopted by the Board of Commissioners this 23rd day of April, 2019.

HOUSING AND REDEVELOPMENT
AUTHORITY IN AND FOR THE
CITY OF MARSHALL, MINNESOTA

By: Robert J. Byrnes
Its: Chair

ATTEST:

By: Sharon Hanson
Its: Executive Director

THIS INSTRUMENT WAS DRAFTED BY:

QUARNSTROM & DOERING, P.A.
MARSHALL CITY ATTORNEY
By: Dennis H. Simpson
109 South Fourth Street
Marshall, MN 56258
(507) 537-1441